



Feature -

- push / pull switch
- SPDT, DPDT, momentary function

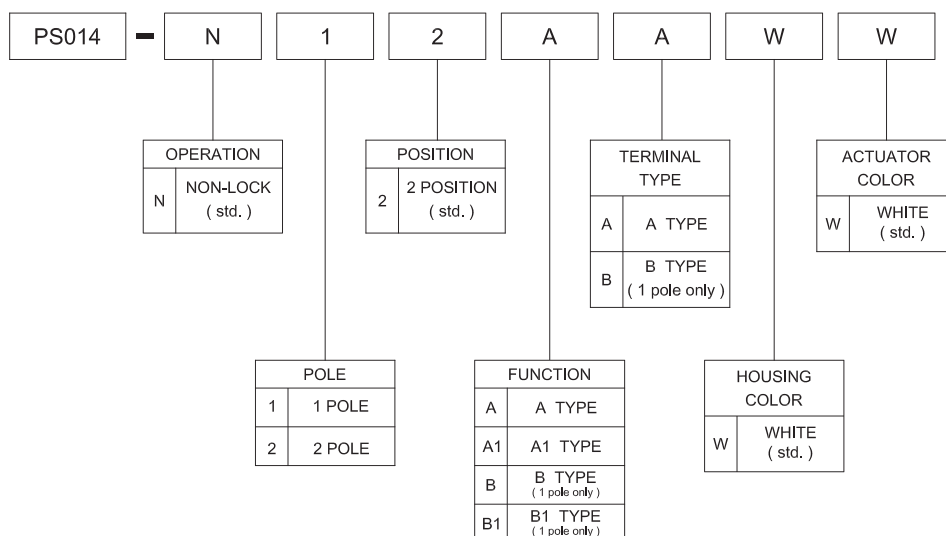
Application -

- equipments
- game machines
- office appliances
- electrical home appliances

► SPECIFICATIONS

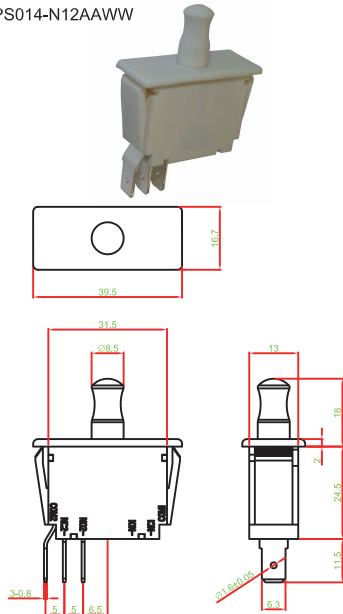
SWITCH SPECIFICATIONS	
POLE - POSITION	Momentary type , SPDT , DPDT
CONTACT RATING	250 V AC , 10(6) A
CONTACT RESISTANCE	100 mΩ MAX. 1.5 V DC ; 100 mA , by method of voltage DROP
INSULATION RESISTANCE	500 MΩ MIN. 500 V DC
DIELECTRIC STRENGTH	Breakdown is not allowable ; 1000 V AC for 1 minute
OPERATING FORCE	SPDT : PUSH : 400±100 DPDT : PUSH : 500±200 PULL : 450±200 PULL : 700±300
OPERATING LIFE	50,000 cycles
OPERATING TEMPERATURE RANGE	-20°C ~ 70°C
TOTAL TRAVEL	5.5 ± 0.3 mm

► HOW TO ORDER

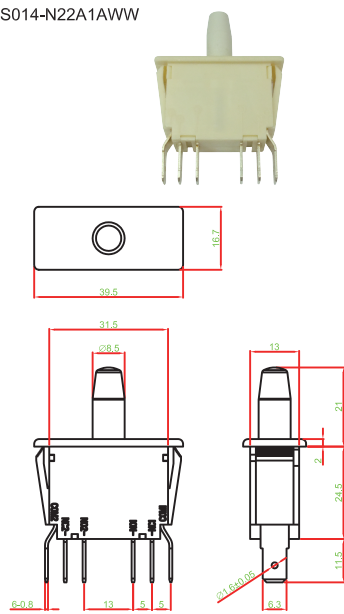


▶ DIMENSION

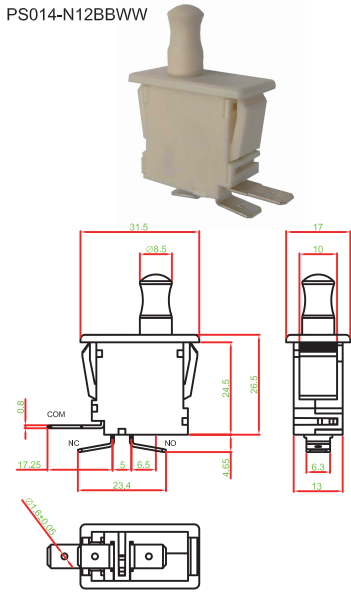
PS014-N12AAWW



PS014-N22A1AWW



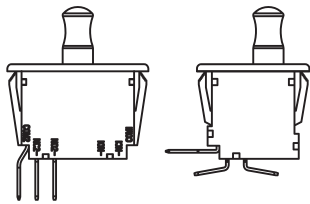
PS014-N12BBWW



▶ FUNCTION

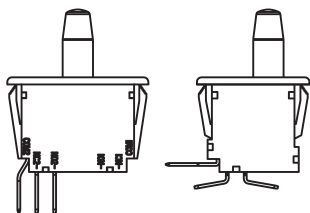
A TYPE

B TYPE



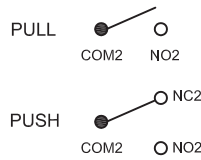
A1 TYPE

B1 TYPE

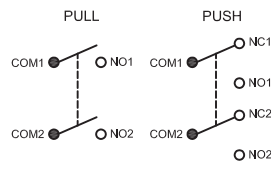


▶ CIRCUIT

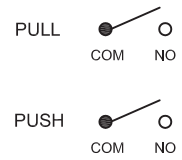
PS014-N12AA□□



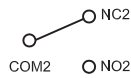
PS014-N22AA□□



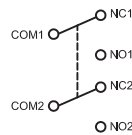
PS014-N12BB□□



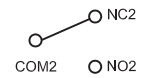
PS014-N12A1A□□



PS014-N22A1A□□



PS014-N12B1B□□



▶ MATERIAL

- ACTUATOR : PA66
- FRAME : PA66
- SPRING : STAINLESS STEEL
- TERMINAL : PHOSPHOR BRONZE SILVER PLATING
- MOVING CONTACT : PHOSPHOR BRONZE SILVER PLATING

▶ PANEL CUT OUT



PS014-N□2AA□□	
PANEL THICK	W
0.75 ~ 1.25	36
1.25 ~ 2.0	36.5
2.0 ~ 3.0	37

PS014-N12BB□□	
PANEL THICK	W
0.75 ~ 1.25	28
1.25 ~ 2.0	28.5
2.0 ~ 3.0	29